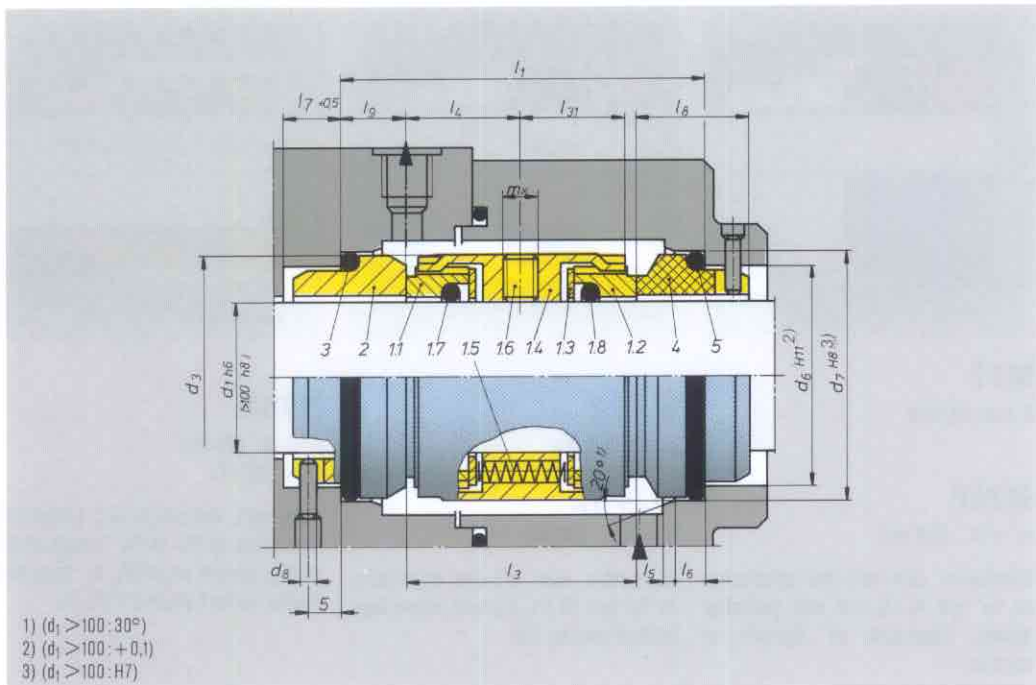
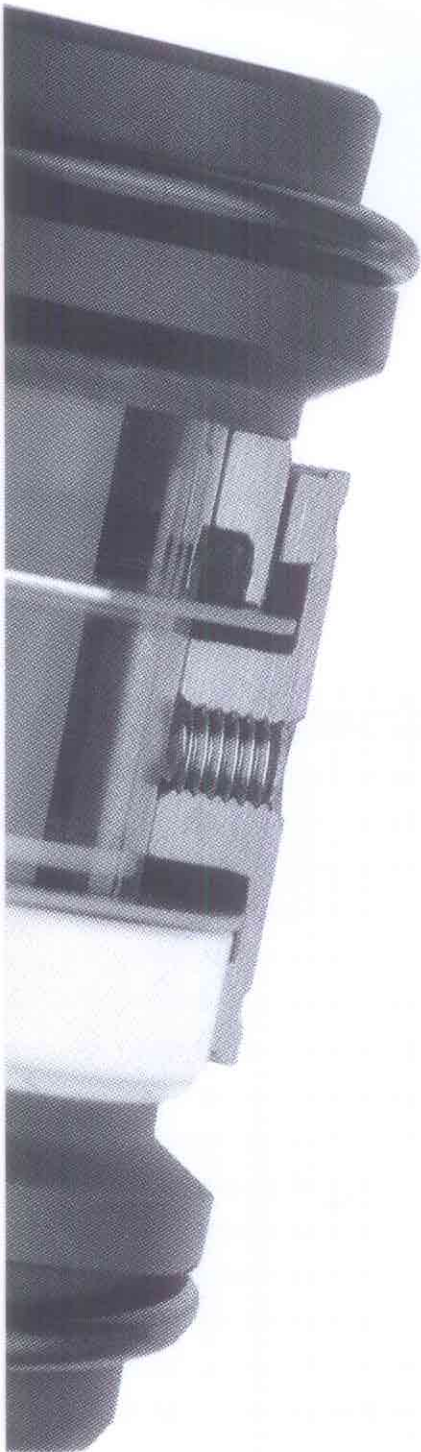


M 74-D



- ▶ **Double seal**
- ▶ **Unbalanced**
- ▶ **Independent of direction of rotation**
- ▶ **Multiple springs**

Double seals in the M 74-D series have the same design-features as the "M 7" family of single seals (easy-to-replace seal faces, etc.). Apart from the installation length of the drive collar, all fitting dimensions ($d_1 < 100$ mm) conform with DIN 24960.

Operating limits

$d_1 = 18 \dots 200$ mm $0.625^\circ \dots 8^\circ$
 $p_1 = 16$ (25) bar 230 (360) PSI
 $t = -50 \dots 220^\circ\text{C}$ $(-20 \dots 180^\circ\text{C}^*)$
 $v_g = 20$ m/s (10 m/s*) 66 (33) ft/s

*Limit for shrink-fitted carbide seal faces with $d_1 \geq 105$ mm

Axial movement
 $d_1 \leq 100$ mm ± 0.5 mm
 $d_1 > 100$ mm ± 2.0 mm

Combination of materials

Dimensions are identical throughout the M 7 series, so it is possible to use the same face materials as for type M 7 N (see page 30).

Double seals to DIN 24960

DIN specifies single seals in a back-to-back arrangement. It is possible, therefore, to choose from the following combinations:

- unbalanced / unbalanced (e.g. M 7 N / M 7 N)
- balanced / balanced (e.g. H 7 N / H 7 N)
- unbalanced / balanced (e.g. M 7 N / H 7 N). Please consult the single-seal tables for dimensions.

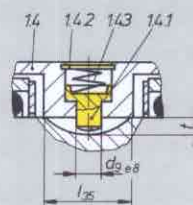
M 74-D

Item no.	Part no. to DIN	Description
24250		

1.1	472.1	Seal face
1.2	472.2	Seal face
1.3	474	Thrust ring
1.4	485	Drive collar
1.5	477	Spring
1.6	904	Set screw
1.7	412.1	O-ring
1.8	412.2	O-ring
2	475.1	Type G9 stationary seat
3	412.3	O-ring
4	475.2	Type G9 stationary seat
5	412.4	O-ring

Torque transmission

Spring loaded drive pin: M 74-D 22

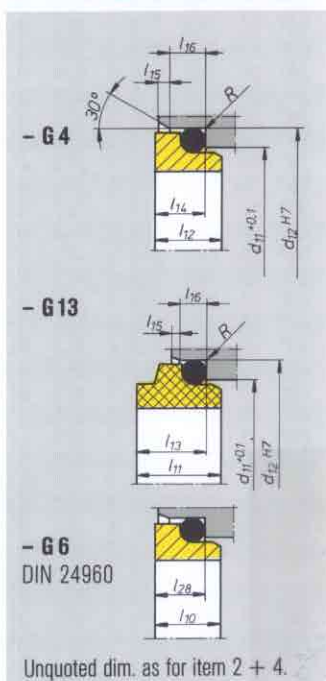


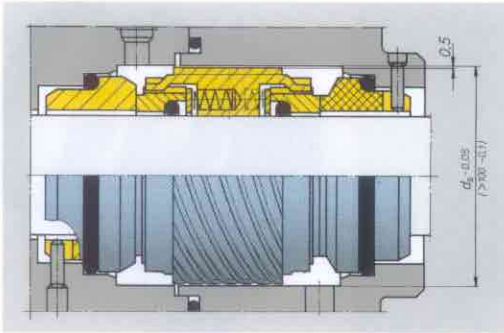
- drive pin - 1.4.1
- disk - 1.4.2
- thrust spring - 1.4.3

For $d_1 > 100$ mm: 4 set screws with cone points (standard arrangement)



Stationary seats





M74-F-D

Dimensions, item no's and descriptions as for type M74-D, but with **pumping screw** (Item no. 1.4). Dependent on direction of rotation!

Torque transmission via set screws with cone points.



M74-D

d ₁	d ₃	d ₆	d ₇	d ₈	d ₉	d ₁₁	d ₁₂	d _s	l ₁	l ₃	l ₄	l ₅	l ₆	l ₇	l ₈	l ₉	l ₁₀	l ₁₁	l ₁₂	l ₁₃	l ₁₄	l ₁₅	l ₁₆	l ₂₈	l ₃₁	l ₃₅	m _x	t	
18	33	27.0	33.0	3	4	24.0	30.0	-	61.0	38	19.0	2.0	5	9	19.5	11.5	8.5	12.5	9.0	10.0	8.0	1.5	5	7.5	17.0	15	M5	3.5	
20	35	29.0	35.0	3	4	29.5	35.0	-	61.0	38	19.0	2.0	5	9	19.5	11.5	8.5	12.5	8.5	9.5	7.5	1.5	5	7.5	17.0	15	M5	3.5	
22	37	31.0	37.0	3	4	29.5	35.0	42	61.0	38	19.0	2.0	5	9	19.5	11.5	8.5	12.5	8.5	9.5	7.5	1.5	5	7.5	17.0	15	M5	3.5	
24	39	33.0	39.0	3	4	32.0	38.0	44	61.0	38	19.0	2.0	5	9	19.5	11.5	8.5	12.5	8.5	9.5	7.5	1.5	5	7.5	17.0	15	M5	3.5	
25	40	34.0	40.0	3	4	32.0	38.0	45	61.0	38	19.0	2.0	5	9	19.5	11.5	8.5	12.5	8.5	9.5	7.5	1.5	5	7.5	17.0	15	M5	3.5	
28	43	37.0	43.0	3	4	36.0	42.0	47	62.0	39	19.5	2.0	5	9	19.5	11.5	8.5	14.0	10.0	11.0	9.0	1.5	5	7.5	17.5	15	M6	3.5	
30	45	39.0	45.0	3	4	39.2	45.0	49	62.0	39	19.5	2.0	5	9	19.5	11.5	8.5	14.0	11.5	11.0	10.5	1.5	5	7.5	17.5	15	M6	3.5	
32	47	42.0	48.0	3	4	42.2	48.0	51	62.0	39	19.5	2.0	5	9	19.5	11.5	8.5	14.0	11.5	11.0	10.5	1.5	5	7.5	17.5	15	M6	3.5	
33	48	42.0	48.0	3	4	44.2	50.0	51	62.0	39	19.5	2.0	5	9	19.5	11.5	8.5	14.5	12.0	11.5	10.5	1.5	5	7.5	17.5	15	M6	3.5	
35	50	44.0	50.0	3	4	46.2	52.0	54	62.0	39	19.5	2.0	5	9	19.5	11.5	8.5	14.5	12.0	11.5	11.0	1.5	5	7.5	17.5	15	M6	3.5	
38	55	49.0	56.0	4	4	49.2	55.0	59	69.0	41	20.5	2.0	6	9	22.0	14.0	10.0	14.5	11.3	11.5	10.3	1.5	5	9.0	18.5	15	M6	3.5	
40	57	51.0	58.0	4	4	52.2	58.0	61	70.0	42	21.0	2.0	6	9	22.0	14.0	10.0	14.5	11.8	11.5	10.8	1.5	5	9.0	19.0	15	M6	3.5	
43	60	54.0	61.0	4	4	53.3	62.0	65	70.0	42	21.0	2.0	6	9	22.0	14.0	10.0	17.0	13.2	14.3	12.0	2.0	6	9.0	19.0	15	M6	3.5	
45	62	56.0	63.0	4	4	55.3	64.0	66	70.0	42	21.0	2.0	6	9	22.0	14.0	10.0	17.0	12.8	14.3	11.6	2.0	6	9.0	19.0	15	M6	3.5	
48	65	59.0	66.0	4	4	59.7	68.4	69	70.0	42	21.0	2.0	6	9	22.0	14.0	10.0	17.0	12.8	14.3	11.6	2.0	6	9.0	19.0	15	M6	3.5	
50	67	62.0	70.0	4	4	60.8	69.3	71	73.0	43	21.5	2.5	6	9	23.0	15.0	10.5	17.0	12.8	14.3	11.6	2.0	6	9.5	19.5	15	M6	3.5	
53	70	65.0	73.0	4	4	63.8	72.3	75	73.0	43	21.5	2.5	6	9	23.0	15.0	12.0	17.0	13.5	14.3	12.3	2.0	6	11.0	19.5	15	M6	3.5	
55	72	67.0	75.0	4	4	66.5	75.4	76	73.0	43	21.5	2.5	6	9	23.0	15.0	12.0	18.0	14.5	15.3	13.3	2.0	6	11.0	19.5	15	M8	3.5	
58	79	70.0	78.0	4	5	69.5	78.4	83	86.0	56	28.0	2.5	6	9	23.0	15.0	12.0	18.0	14.5	15.3	13.3	2.0	6	11.0	23.5	19	M8	3.5	
60	81	72.0	80.0	4	5	71.5	80.4	85	86.0	56	28.0	2.5	6	9	23.0	15.0	12.0	18.0	14.5	15.3	13.3	2.0	6	11.0	23.5	19	M8	3.5	
63	84	75.0	83.0	4	5	74.5	83.4	88	85.0	55	27.5	2.5	6	9	23.0	15.0	12.0	18.0	14.2	15.3	13.3	2.0	6	11.0	24.5	19	M8	3.5	
65	86	77.0	85.0	4	5	76.5	85.4	95	85.0	55	27.5	2.5	6	9	23.0	15.0	12.0	18.0	14.2	15.3	13.0	2.0	6	11.0	24.5	19	M8	3.5	
68	89	81.0	90.0	4	5	82.7	91.5	93	91.0	55	27.5	2.5	7	9	26.0	18.0	12.5	19.0	14.9	16.0	13.7	2.0	6	11.3	24.5	19	M8	3.5	
70	91	83.0	92.0	4	5	83.0	92.0	95	92.0	56	28.0	2.5	7	9	26.0	18.0	12.5	18.0	14.2	15.3	13.0	2.0	6	11.3	23.5	19	M8	3.5	
75	99	88.0	97.0	4	5	90.2	99.0	105	92.0	56	28.0	2.5	7	9	26.0	18.0	12.5	18.0	15.2	15.3	14.0	2.0	6	11.3	25.5	19	M8	3.5	
80	104	95.0	105.0	4	5	95.2	104.0	109	92.5	56	28.0	3.0	7	9	26.2	18.2	13.0	19.0	16.2	16.3	15.0	2.0	6	12.0	25.5	19	M8	3.5	
85	109	100.0	110.0	4	5	100.2	109.0	114	92.5	56	28.0	3.0	7	9	26.2	18.2	15.0	19.0	16.0	16.3	14.8	2.0	6	14.0	25.0	19	M8	3.5	
90	114	105.0	115.0	4	5	105.2	114.0	119	92.5	56	28.0	3.0	7	9	26.2	18.2	15.0	19.0	16.0	16.3	14.8	2.0	6	14.0	25.5	19	M8	3.5	
95	119	110.0	120.0	4	5	111.6	120.3	124	90.5	56	28.0	3.0	7	9	25.2	17.2	15.0	20.0	17.0	17.3	15.8	2.0	6	14.0	25.0	19	M8	3.5	
100	124	115.0	125.0	4	5	114.5	123.3	129	90.5	56	28.0	3.0	7	9	25.2	17.2	15.0	20.0	17.0	17.3	15.8	2.0	6	14.0	25.0	19	M8	3.5	
105	138	122.2	134.3	5	7	-	-	143	108.0	68	34.0	2.0	10	9	30.0	20.0	-	-	-	-	-	-	-	-	-	30.5	22	M8	3.5
110	143	128.2	140.3	5	7	-	-	148	110.0	70	35.0	2.0	10	-	30.0	20.0	-	-	-	-	-	-	-	-	-	31.5	22	M8	3.5
115	148	136.2	148.3	5	7	-	-	153	110.0	70	35.0	2.0	10	-	30.0	20.0	-	-	-	-	-	-	-	-	-	31.5	22	M8	3.5
121	153	138.2	150.3	5	7	-	-	158	110.0	70	35.0	2.0	10	-	30.0	20.0	-	-	-	-	-	-	-	-	-	31.5	22	M8	3.5
125	158	142.2	154.3	5	7	-	-	163	110.0	70	35.0	2.0	10	-	30.0	20.0	-	-	-	-	-	-	-	-	-	31.5	22	M8	3.5
130	163	146.2	158.3	5	7	-	-	168	110.0	70	35.0	2.0	10	-	30.0	20.0	-	-	-	-	-	-	-	-	-	31.5	22	M8	3.5
135	168	152.2	164.3	5	7	-	-	173	110.0	70	35.0	2.0	10	-	30.0	20.0	-	-	-	-	-	-	-	-	-	31.5	22	M8	3.5
140	173	156.2	168.3	5	7	-	-	178	110.0	70	35.0	2.0	10	-	30.0	20.0	-	-	-	-	-	-	-	-	-	31.5	22	M8	3.5
145	178	161.2	173.3	5	7	-	-	183	110.0	70	35.0	2.0	10	-	30.0	20.0	-	-	-	-	-	-	-	-	-	31.5	22	M8	3.5
150	183	168.2	180.3	5	7	-	-	188	114.0	70	35.0	2.0	10	-	32.0	22.0	-	-	-	-	-	-	-	-	-	31.5	22	M8	3.5
155	188	173.2	185.3	5	7	-	-	196	127.0	79	39.5	2.0	12	-	34.0	24.0	-	-	-	-	-	-	-	-	-	35.5	22	M8	3.5
160	196	178.2	190.3	5	7	-	-	201	127.0	79	39.5	2.0	12	-	34.0	24.0	-	-	-	-	-	-	-	-	-	35.5	22	M8	3.5
165	201	183.2	195.3	5	7	-	-	206	127.0	79	39.5	2.0	12	-	34.0	24.0	-	-	-	-	-	-	-	-	-	35.5	22	M8	3.5
170	206	188.2	200.3	5	7	-	-	211	127.0	79	39.5	2.0	12	-	34.0	24.0	-	-	-	-	-	-	-	-	-	35.5	22	M8	3.5
175	211	193.2	205.3	5	7	-	-	216	127.0	79	39.5	2.0	12	-	34.0	24.0	-	-	-	-	-	-	-	-	-	35.5	22	M8	3.5
180	216	207.5	219.3	5	7	-	-	221	135.0	79	39.5	2.0	12	-	38.0	28.0	-	-	-	-	-	-	-	-	-	35.5	22	M8	3.5
185	221	212.5	224.3	5	7	-	-	226	135.0	79	39.5	2.0	12	-	38.0	28.0	-	-	-	-	-	-	-	-	-	35.5	22	M8	3.5
190	226	217.5	229.3	5	7	-	-	231	135.0	79	39.5	2.0	12	-	38.0	28.0	-	-	-	-	-	-	-	-	-	35.5	22	M8	3.5
195	231	222.5	234.3	5	7	-	-	236	135.0	79	39.5	2.0	12	-	38.0	28.0	-	-	-	-	-	-	-	-	-	35.5	22	M8	3.5
200	236	227.5	239.3	5	7	-	-	241	135.0	79	39.5	2.0	12	-	38.0	28.0	-	-	-	-	-	-	-	-	-	35.5	22	M8	3.5