

NS

Self-priming Centrifugal Pump



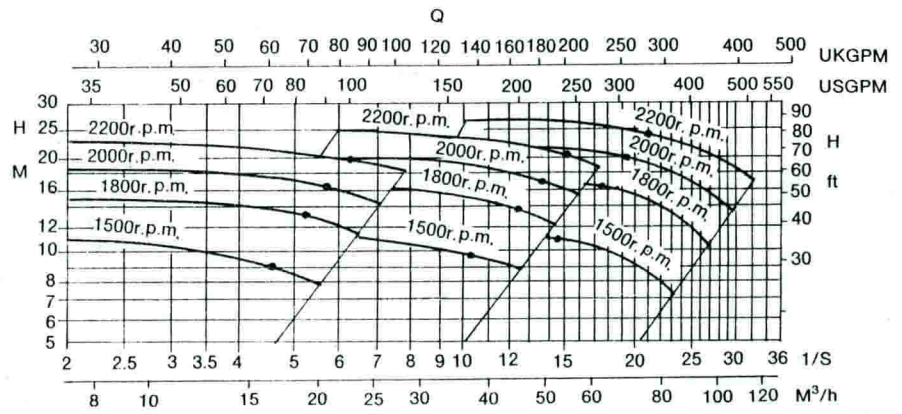
KENFLO

FOSHAN PUMP FACTORY

TECHNICAL FEATURES

1. Being SELF-PRIMING type, this does not need foot valve or vacuum pump.
2. Adopting OPEN-TYPE IMPELLER, water runs smoothly.
3. Using SEALED-TYPE BEARINGS, long-term operation is guaranteed without oiling.

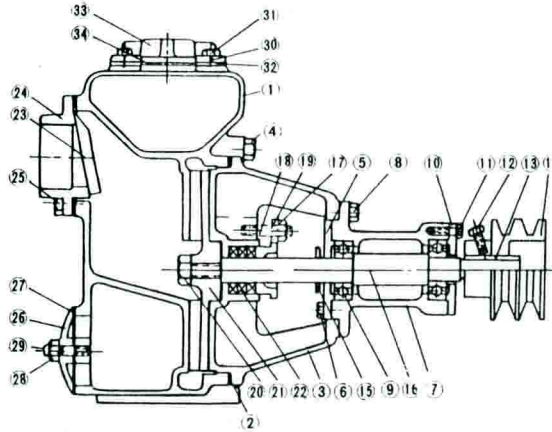
PERFORMANCE CHART



PARTS LIST

No.	PARTS NAME	QTY.
1	CASING	1
2	PAPER PACKING	1
3	PUMP COVER	1
4	BOLT	4(6)
5	INSIDE COVER	1
6	BOLT	3(4)
7	BEARING CASE	1
8	BOLT	4
9	BEARING	2
10	OUTSIDE COVER	1
11	BOLT	3(4)
12	BOLT	1
13	KEY	1
14	V. PULLEY	1
15	SHAFT	1
16	WATER STOPPER	1
17	NUT	2
18	STUD BOLT	2
19	GLAND	1
20	GLAND PACKING	1
21	IMPELLER	1
22	NUT	1
23	CHECK VALVE	1
24	SUCTION FLANGE	1
25	BOLT	4
26	DRAIN COVER	1
27	PACKING	1
28	NUT	1
29	STUD BOLT	1
30	DISCHARGE FLANGE	1
31	BOLT	4
32	PACKING	1
33	PRIMING PLUG	1
34	PACKING	1

THE DRAWING OF CONSTRUCTION



OUTLINE & INSTALLING DIMENSIONS

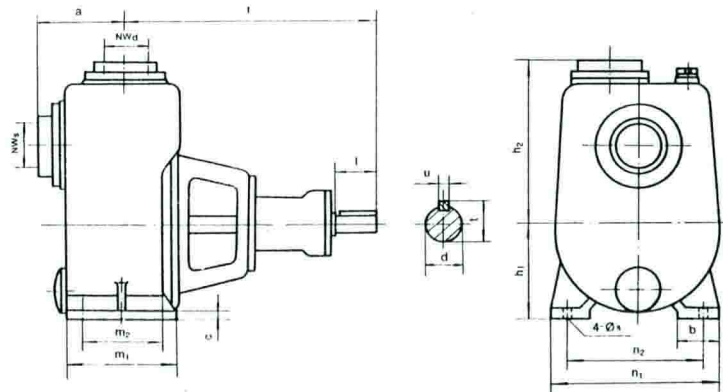


TABLE OF OUTLINE & INSTALLING DIMENSIONS

PUMP SIZE	NW _s		NW _d		a		f		h ₁		h ₂		b		c		m ₁	
	mm	in	mm	in	mm	in	mm	in	mm	in	mm	in	mm	in	mm	in	mm	in
NS-50	50	2"	50	2"	102	4.02	280	11.02	125	4.92	204	8.03	45	1.77	14	0.551	120	4.72
NS-80	80	3"	80	3"	106	4.17	301	11.85	140	5.51	248	9.76	50	1.968	14	0.551	140	5.51
NS-100	100	4"	100	4"	121	4.76	321	12.64	150	5.91	282	11.10	50	1.968	14	0.551	160	6.30

PUMP SIZE	m ₂		n ₁		n ₂		phi s		d		l		t		u	
	mm	in	mm	in	mm	in	mm	in	mm	in	mm	in	mm	in	mm	in
NS-50	90	3.54	237	9.33	205	8.07	12	0.472	18	0.708	52	2.047	20	0.787	5	0.197
NS-80	110	4.33	270	10.63	230	9.06	14	0.551	28	1.102	52	2.047	31	1.220	8	0.315
NS-100	124	4.88	285	11.22	250	9.84	14	0.551	28	1.102	44	1.732	31	1.220	8	0.315

